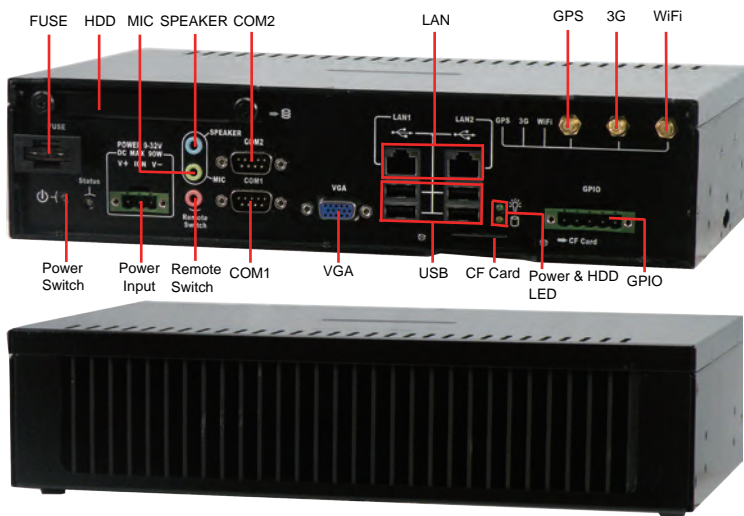


AR-V5403FL

Fanless and Dustproof Intel 945GME Core 2 Duo Vehicle Computer



Features

- ✓ Support Core 2 Duo / Core Duo / Core Solo / Celeron M
- ✓ 1 x VGA
- ✓ 4-bit GPIO (2 In, 2 Out)
- ✓ GPS / 3.5G / Wifi / Bluetooth Module Option
- ✓ External Removable HDD Bay
- ✓ Software programmable power off delay time

Specification

System

CPU	Intel Core 2 Duo/Core Duo/Core Solo/Celeron M : CPU T7400 / T5500 / T2500 / CM440
Chipset	Intel 945GME + ICH7M
Front Side Bus	533/667MHz
Memory	<ul style="list-style-type: none"> • 1 x 200-pin SO-DIMM socket support 533/667MHz DDR2 SDRAM up to 2GB • 1GB pre-installed

Video

Graphic Controller	Intel 945GME integrated GMA 950 graphic controller
Video Memory	DVMT 3.0, Maximum 256MB shared
Video Interface	<ul style="list-style-type: none"> • 1 x VGA port (DB15)

Storage

IDE	1 x IDE (44-pin)
SATA	2 x SATA II port
CF	1 x External Compact Flash Type I/II socket
Disk Bay	1 x Anti-shock 2.5" HDD bracket swappable without open case

I/O

Expansion Slot	1 x miniPCIe (FOR Optional 3.5G Module only)
Ethernet	2 x Gbps RJ45 with LED, Broadcom BCM5787
Serial Port	4 x RS-232 (2 x DB9, 2 x pin header, COM3 for PIC on power circuit, COM4 for GPS)
USB	8 X USB 2.0 (4 x external port, 3 x pin header , 1 x for Mini PCIe 3.5G)
GPIO	4-bit GPIO (2 In, 2 Out) with 5 pin terminal block, 2-in/GND/2-out
Audio	Realtek ALC888 Audio Codec
Antenna Hole	1 x SMA for GPS, 1 x SMA for 3.5G, 1 x SMA for WiFi + Bluetooth
SIM	SIM slot x 1, SIM card changeable without opening case, latch to protect SIM uncertainly touch

Others

GPS(option)	GPS Module (COM4)
3.5G(option)	3.5G Module (Mini PCIe)
WiFi + Bluetooth (option)	Wifi + Bluetooth Combo module (USB2)

Hardware Feature

WatchDog Timer	Software programmable 0~255 sec.
-----------------------	----------------------------------

Software

OS Support	Windows XP Embedded, Linux FC 12
-------------------	----------------------------------

Power

Power Input	Power onboard design (AR-B5403) <ul style="list-style-type: none"> • Wide range input DC 9V~32V • Fuse Design • Smart ATX power function: <ol style="list-style-type: none"> a. Power on/off retry b. Adjustable delay time for system OFF by Switch on power module (Mode2~Mode7) c. System on/off by Vehicle ignition or Remote switch button d. Low Power input monitoring, Auto shutdown
--------------------	--

Mechanical & Environment

Dimension(W x D x H)	189.7mm x 285mm x 67.2mm
Operating Temp.	-15~50°C (-4~122°F) with Industrial Grade CF or SSD -15~45°C (-40~113°F) for T7400 CPU with Industrial Grade CF or SSD
Storage Temp.	-20~80°C (-4~176°F)
Certification	CE, FCC class B, PTCRB

Packing List

- 1 x AR-V5403FL
- 1 x User Guide CD with driver
- 2 x Wall Mount Bracket
- 1 x Screw pack (2.5" HDD bracket : 4pcs)
- 1 x Terminal block (Plug-DC connector)
- 1 x Terminal block (Plug-GPIO connector)
- 1 x KB/MS Y Cable
- 1 x Fuse 7.5A for 24V vehicles

Ordering Information

AR-V5403FLT74	AR-V5403FL with Intel T7400 Core 2 Duo 2.16GHz, 1GB DDR2
AR-V5403FLT55	AR-V5403FL with Intel T5500 Core 2 Duo 1.66 GHz, 1GB DDR2
AR-V5403FLT25	AR-V5403FL with Intel T2500 Core 2 Duo 2.0GHz, 1GB DDR2
AR-V5403FL440	AR-V5403FL with Intel Celeron M 440 1.86GHz, 1GB DDR2

Optional Accessory

100070048	GPS module(ER-332) with RF cable, COM cable, Antenna(L=5M)
100070058	ACC-V5403FL-WLAN
100070059	ACC-V5403FL-Bluetooth
100070047	SIERRA WIRELESS MC8790 3.5G Module (mini-PCIe) with RF cable, screw, Antenna(L=3M)
100070053	Huawei WIRELESS EM770W 3.5G Module with RF cable, screw, Antenna(L=3M)

UNITRONIX Pty Ltd

PO Box 486, Morisset NSW 2264
 NSW: Tel: 61 2 4977 3511 Fax: 61 2 4977 3522
 WA: Tel: 61 8 9455 2424 Fax: 61 8 9455 2458
 unitsyd@unitronix.com.au www.unitronix.com.au